

# Aluminum Blinds

## INSTALLATION GUIDE



Lift Control:

**CORDLESS**



# CONTENTS

<b>INCLUDED IN YOUR PACKAGE</b>	<b>1</b>
<b>SUGGESTED TOOLS (NOT INCLUDED)</b>	<b>2</b>
<b>MOUNTING OPTIONS</b>	<b>3</b>
<b>MOUNTING BRACKETS</b>	<b>4</b>
<b>INSTALLING THE BLINDS</b>	<b>6</b>
<b>CARE AND CLEANING</b>	<b>7</b>
<b>WARNING</b>	<b>8</b>
<b>EMERGENCY / FIRST AID</b>	<b>8</b>

**Thank you for Choosing our Aluminum Blinds for your Residential or Commercial Property.**

We are confident that you will find our Aluminum Blinds to be of superior quality and value, compared to other blinds available.

In this guide, you will find useful information about installation, child safety, cleaning, and warranty when using your blinds.

**READ ALL INSTALLATION INSTRUCTIONS BEFORE INSTALLING**

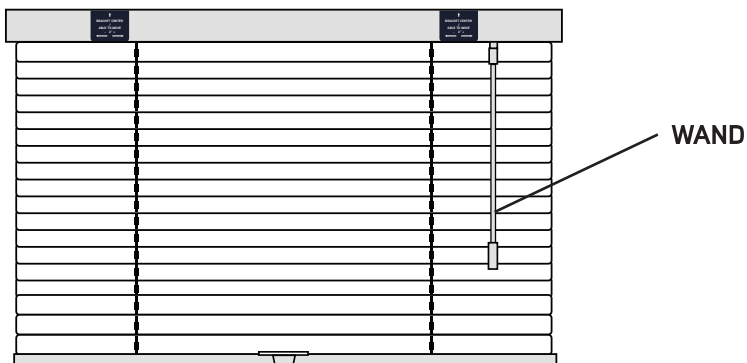
## **CONTACTING US:**

Contact your Dealer regarding any question or concerns about your product.

**PLEASE KEEP FOR FUTURE REFERENCE / TROUBLESHOOTING**

# INCLUDED IN YOUR PACKAGE

## 1" ALUMINUM BLINDS



### SCREWS

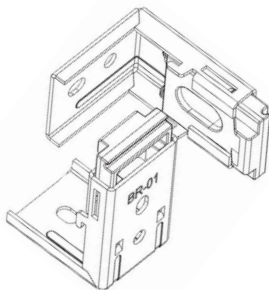
Quantity: 4 per packet



### BRACKETS

Quantity: 2

The wider the blinds the more brackets provided - see chart below

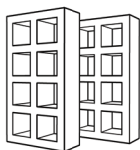


### INSTALLATION BRACKET REQUIREMENT CHART

Blinds Width	Brackets Required
39" or smaller	2
40" to 59"	3
60" to 78"	4
79" to 98"	5

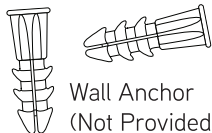
### OPTIONAL PARTS: (supplied upon request)

#### Spacer Blocks (Not Provided)



Use for blinds that need more space between the wall.

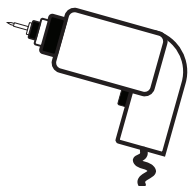
#### Wall anchors (Not Provided).



Wall Anchor  
(Not Provided)

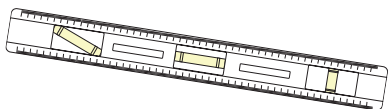
If mounting into drywall, you will need wall anchors to ensure a secure installation.

## SUGGESTED TOOLS (NOT INCLUDED)



### DRILL

*3/32" drill bit,  
and 1/4"  
hex driver*



### LEVEL

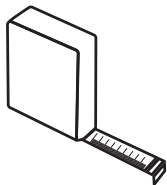


### PENCIL

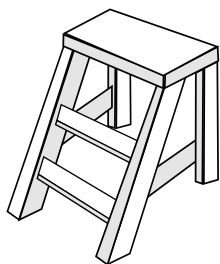


### SCREWDRIVER

*Flat blade, Phillips, or  
1/4" hex driver*

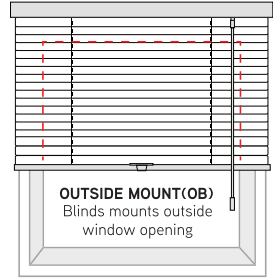
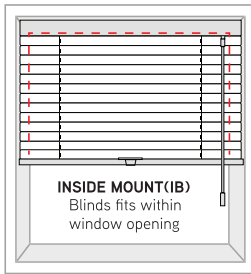
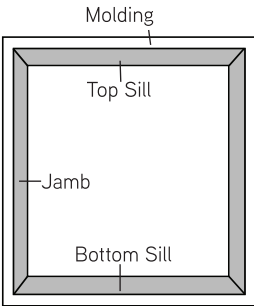


### TAPE MEASURE



### LADDER

# MOUNTING OPTIONS



Your new blinds are custom made to your specifications. The installation should be easy and your blinds will look elegant.

## MOUNTING NOTES:

Mounting screws provided are suitable for most mounting surfaces. See below for additional suggestions.

- **For wallboard or plaster:**

Use hollow wall anchors for added support. (not included)

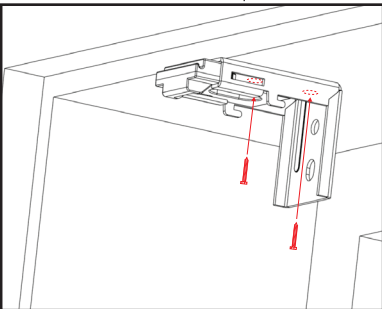
- **For concrete, stone, brick or tile:**

Use an appropriate drill and appropriate anchors before fastening the screws. (not included)

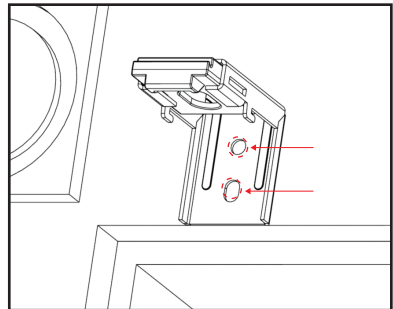
- **For metal surfaces:**

Pre-drill holes and use appropriate drill and appropriate anchors before fastening the screws. (not included)

### INSIDE MOUNT: Top of bracket



### OUTSIDE MOUNT: Back of bracket



Inside Mount Depth Requirements

Bracket	Minimum Depth	Fully Recessed*	Fully Recessed*
		1-1/2" Depth Headrail	2-1/2" Depth Headrail
Standard	1-1/8"	2-1/2"	2-1/2"
Ceiling	1-1/8"	2-1/2"	2-1/2"
Extension	1-7/8"	1-1/8"	3-1/2"

Outside Mount Surface Space Requirements

Bracket	Minimum Depth
Standard	1-1/8"
Ceiling	1-1/8"
Extension	1-1/4"

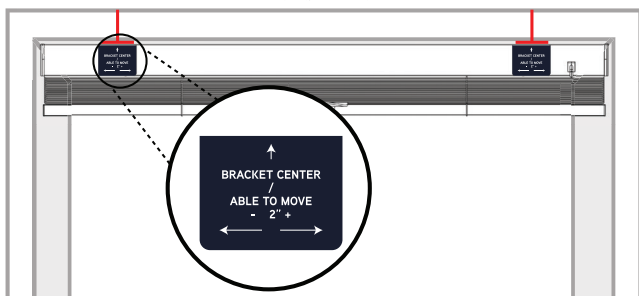
# 1 MOUNTING BRACKETS

## Installing Brackets:

**Inside mount:** Use the stickers on the headrail to find the bracket center for each bracket. The bracket is able to move within the 2" area shown on the sticker.

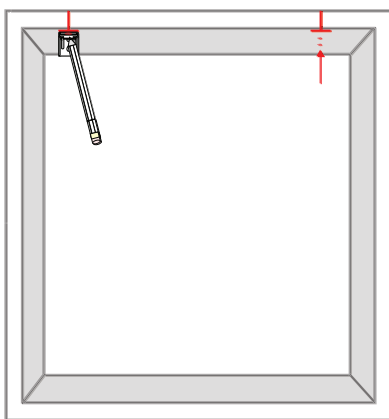
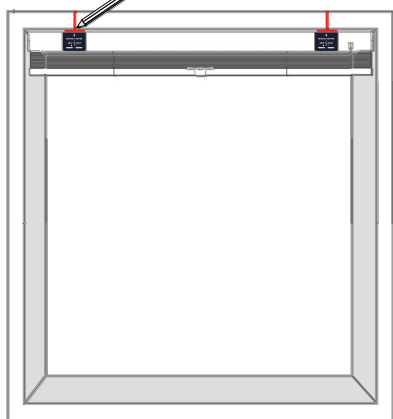
- Hold the headrail up inside the window frame and mark center based of the provided sticker on the headrail.

### Inside Mount

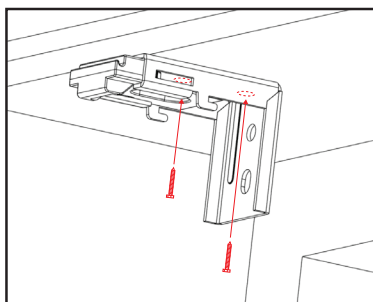
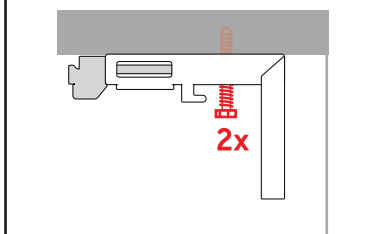


- Align brackets to the marked positions and secure through two holes, ensuring that the bracket tops are aligned and level to one another. Use wall anchors for a secure hold.

To ensure proper blinds operation, mount the brackets level.



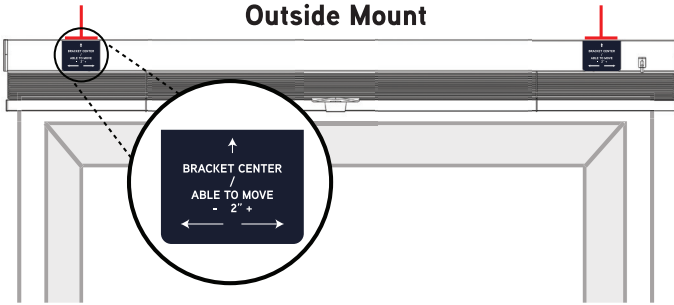
### Inside Mount



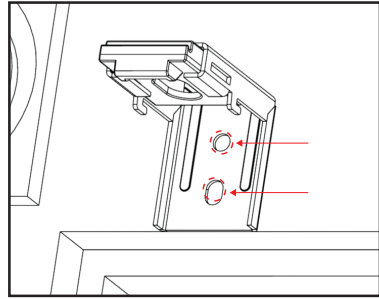
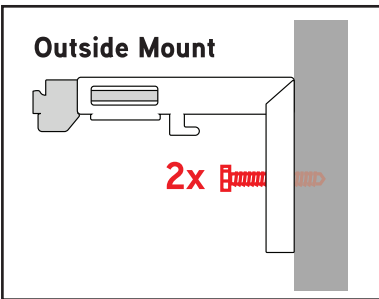
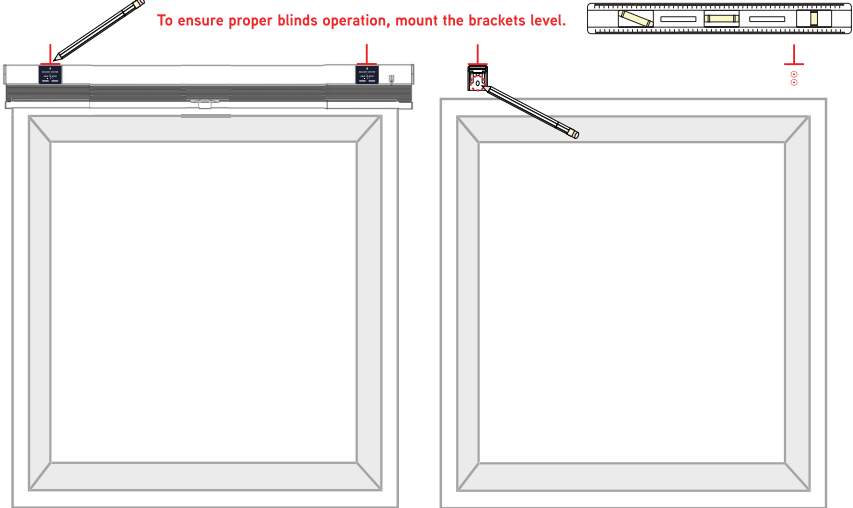
**Spacer blocks (optional)** will be attached to the end of each bracket. Ensure screws are long enough to secure brackets with spacer blocks. Do not use more than three spacer blocks per bracket. If installing extension brackets, do not use spacer blocks.

**Outside Mount:** Outside edge of the brackets should be positioned at a minimum of 2" from the outside of the headrail cassette, note the sticker on the headrail cassette. Use wall anchors for a secure hold. Mark the position of the bracket as illustrated.

- Hold the headrail up above outside the window frame and mark center based of the provided sticker on the headrail.



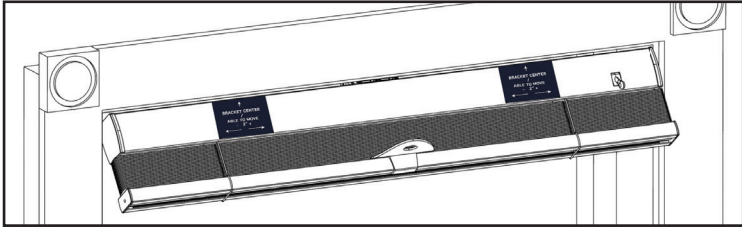
- Align brackets to the marked positions and secure through two holes, ensuring that the bracket tops are aligned and level to one another. Use wall anchors for a secure hold.



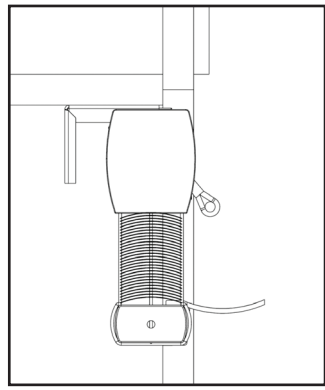
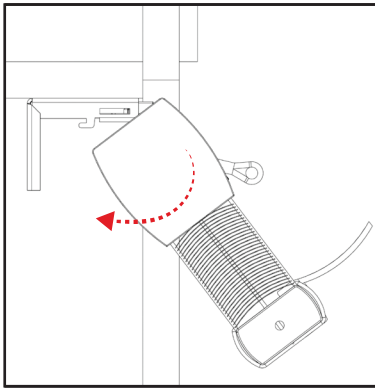
**Spacer blocks (optional)** will be attached to the end of each bracket. Ensure screws are long enough to secure brackets with spacer blocks. Do not use more than three spacer blocks per bracket. If installing extension brackets, do not use spacer blocks.

## 2 INSTALLING THE BLINDS

1. Lift the head rail into position.

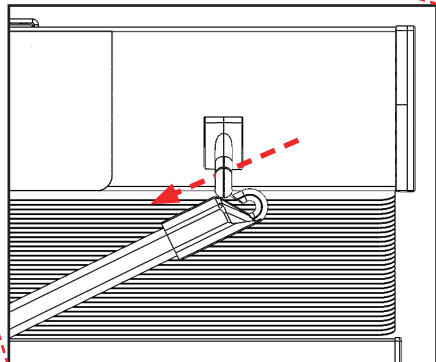
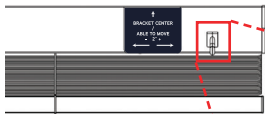


2. Slide the headrail into the brackets and rotate it down until it snaps into place.



### Attach the Wand

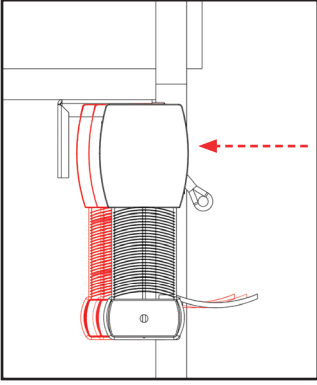
3. Angle the wand and hook it through the loop.



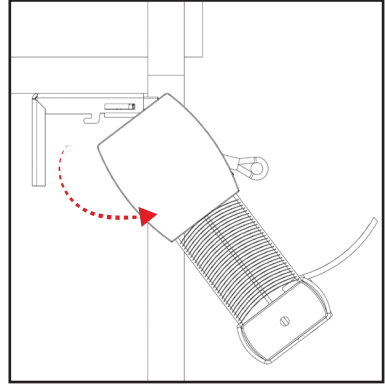
## CARE AND CLEANING

### Remove The Blinds

1. Fully raise the blinds.



2. While holding the headrail, push in towards the brackets and then rotate towards yourself.



3. Rotate towards yourself to remove.

### Cleaning Procedures

The following options are available if your blinds needs cleaning.

#### Dust Removal

In most cases, just use a feather duster to gently dust off regularly.

#### Vacuuming

Use a low-suction hand-held vacuum cleaner to remove dust more thoroughly.

#### Hair Dryer

Use a hair dryer and turn on the cold air to blow away the dirt and debris between the blades.

#### Spot Cleaning

- Dampen a clean cloth and wring out, then wipe the blinds down.
- Allow the blinds to dry in the completely lowered position.

#### **NOTE:**

The Warning labels on the bottom-rails of corded window coverings contain important safety information. These warning labels are designed to be permanent, in accordance with the industry's safety standards, and must not be removed.

**⚠ WARNING**  
**⚠ ADVERTENCIA**



**Window Blind Cord Strangulation Risk**

A damaged, loose, or missing tension device poses a strangulation risk to children. Remove from use and repair or replace if tension device is damaged, loose, or missing

**IMPORTANT SAFETY WARNING:**

Window cords can pose a potential strangulation hazard to young children. According to the U.S. Consumer Product Safety Commission, corded window coverings are among the top five hidden hazards in American homes. Check your window coverings for exposed or dangling cords and retrofit or replace them with today's safer products.

Never place a crib, playpen, bed or any type of low-standing furniture near a window. In exploring their surroundings, young children can accidentally fall through an open window or window screen, or become tragically entangled in a nearby window cord. Whenever possible, place cribs and furniture on a non-windowed wall.

Dangling or accessible cords on window coverings can pose an accidental strangulation hazard to infants and young children. For your safety, replace older corded window coverings with today's safer products.

The Window Covering Safety Council (WCSC) and government safety officials recommend that you only use cordless window products in homes with young children.

**CHOKING HAZARD:**



- Keep cord out of reach from children.
- Remove objects below window.
- Do not tie cords together.
- Make sure safety cords are located 1-2 inches below the headrail.
- Please reference all warning tags in the instructions and on the shade.
- Please keep cords out of children and pets reach, a cord cleat or a cord tensioner device can be found at a local window covering store.



**EMERGENCY / FIRST AID**

- Remove cord from child's neck
- Call 911 or an Emergency Call Center
- Clear the throat
- Check breathing and heartbeat
- Begin CPR if trained

THIS PRODUCT IS...



# Aluminum Blinds

## Lift Control: **CORDLESS**

### LIMITED 3 YEAR WARRANTY

The Manufacturers Collection will be free from defects in materials and workmanship for as long as the original purchaser owns the product, provided that the product was installed properly. The limited 3 year warranty is extended to the original purchaser only, in the original window for which it was intended.

The warranty does not include any condition or damage resulting from accidents, alterations, misuse, failure to install properly, or others instances outside of Manufacturers control. This warranty also does not apply to conditions resulting from normal wear and tear.

To obtain service, contact the dealer from whom you purchased the product. Manufacturer will repair or replace defective parts or components at no charge.

This warranty is exclusive and in lieu of all other obligations, liabilities or warranties. In no event shall Manufacturers be liable for incidental or consequential damages, or for any other damage, loss or expense, cost or fees associated with such damage. In some states, exclusion for incidental or consequential damages are not allowable. This warranty does not cover any transport, removal, or re-installation charges which may occur as a result of defects in materials or workmanship.

This warranty gives you specific legal rights, and may also have other rights, which vary from state to state.